

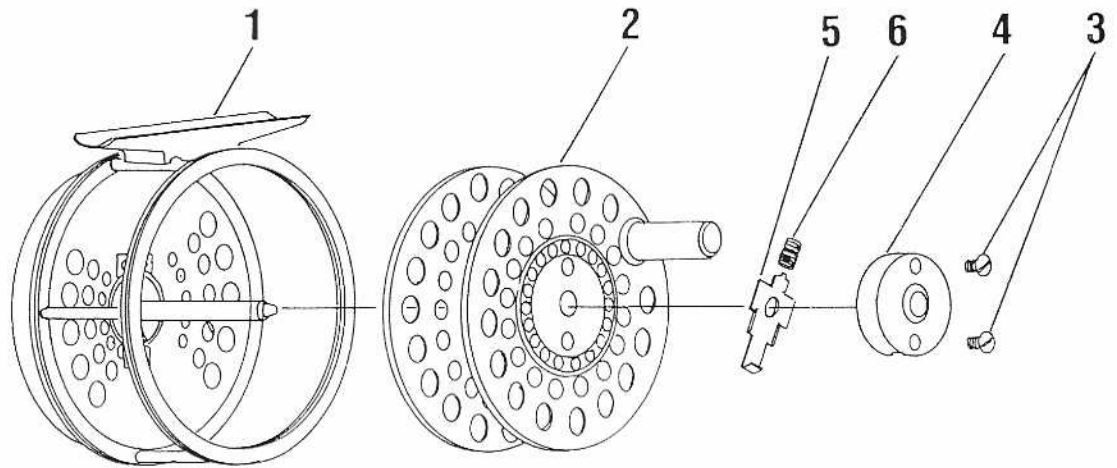
MARTIN™ TUFFY 65

SPECIFICATIONS:

30 yds. WF8F plus 50yds. of
20# backing capacity
4.50 oz. Weight
3 1/4" Diameter
1 3/16" Spool Depth

FEATURES:

Lightweight aluminum alloy
post frame with perforated
back
Precision-fit aluminum spool
with push-button release
All-metal click drag with
on/off control
Right or left hand retrieve
One-year limited warranty



Key No.	Part No.	Description	Price
2	SS56DCA	Spool Assembly	7.17
3	RR130-10A	Spool Lock Cap Screw	.20
4	251-03A	Spool Lock Cap	.31
5	XM050-01A	Spool Lock	.80
6	253S	Spool Lock Spreing	.32
7	WC193-13APA	Rim (Spool Side)	2.81
8	VC323-03ASAW	Back Cover Assembly	4.10
9	934-01B	Post	1.90
10	936-01B	Reel Foot Post	3.63
11	VC022-01AOMP	Reel Foot	2.55
12	RR130-10A	Reel Foot Screw	.20
13	234	Post Screw	.32

MODEL INTRODUCED	EFFECTIVE DATE OF PARTS LIST/DIAGRAM	Oct. 1996	DISCONTINUED	N/A
------------------	--------------------------------------	-----------	--------------	-----

Prices subject to change without notice. Prices do not include postage and handling.

PLEASE ORDER BY PART NUMBER Zebco Division Brunswick Corporation, Box 270, Tulsa, OK 74101 USA 918-831-6965

